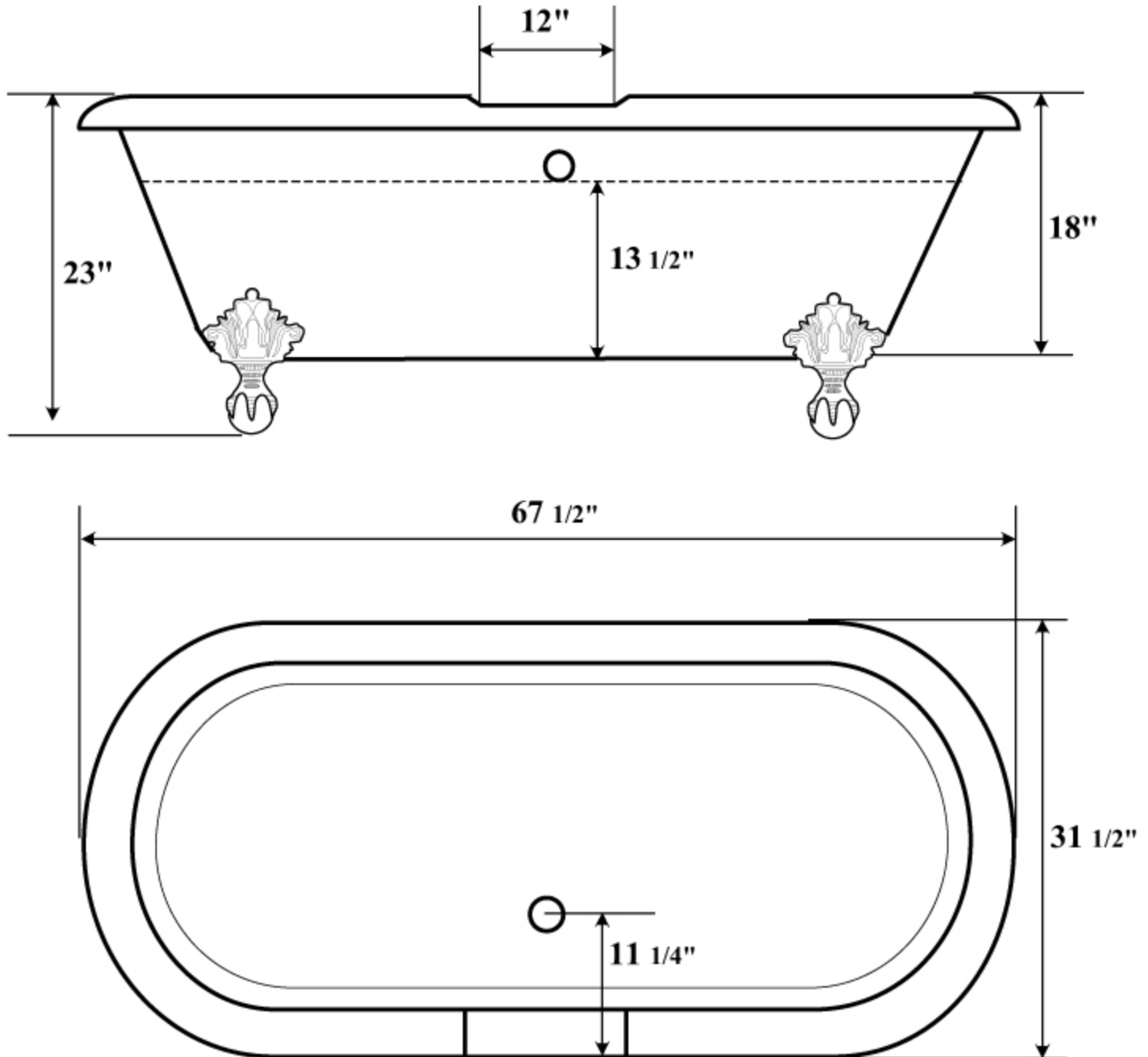


SUNRISE SPECIALTY CO.

#816 Double Ended Bathtub
(Designed for custom faucet drilling)
#846 Double Ended Bathtub
(Less faucet drill, continuous roll rim)
#806 Double Ended Bathtub
(With 8" cc holes)

Water Capacity 54 Gallons



Waste in floor: When using Sunrise Specialty #42 waste and overflow, center waste in floor 1 1/2" in from out from edge of tub.

Hot & Cold Supplies: When using the 806 tub, the faucet is centered above the drain out of the floor. Use the #56 supplies and the #54 or #53 shut off valves. Position hot & cold supplies 8" center to center on each side of the waste out of floor.