

SUNRISE SPECIALTY CO.

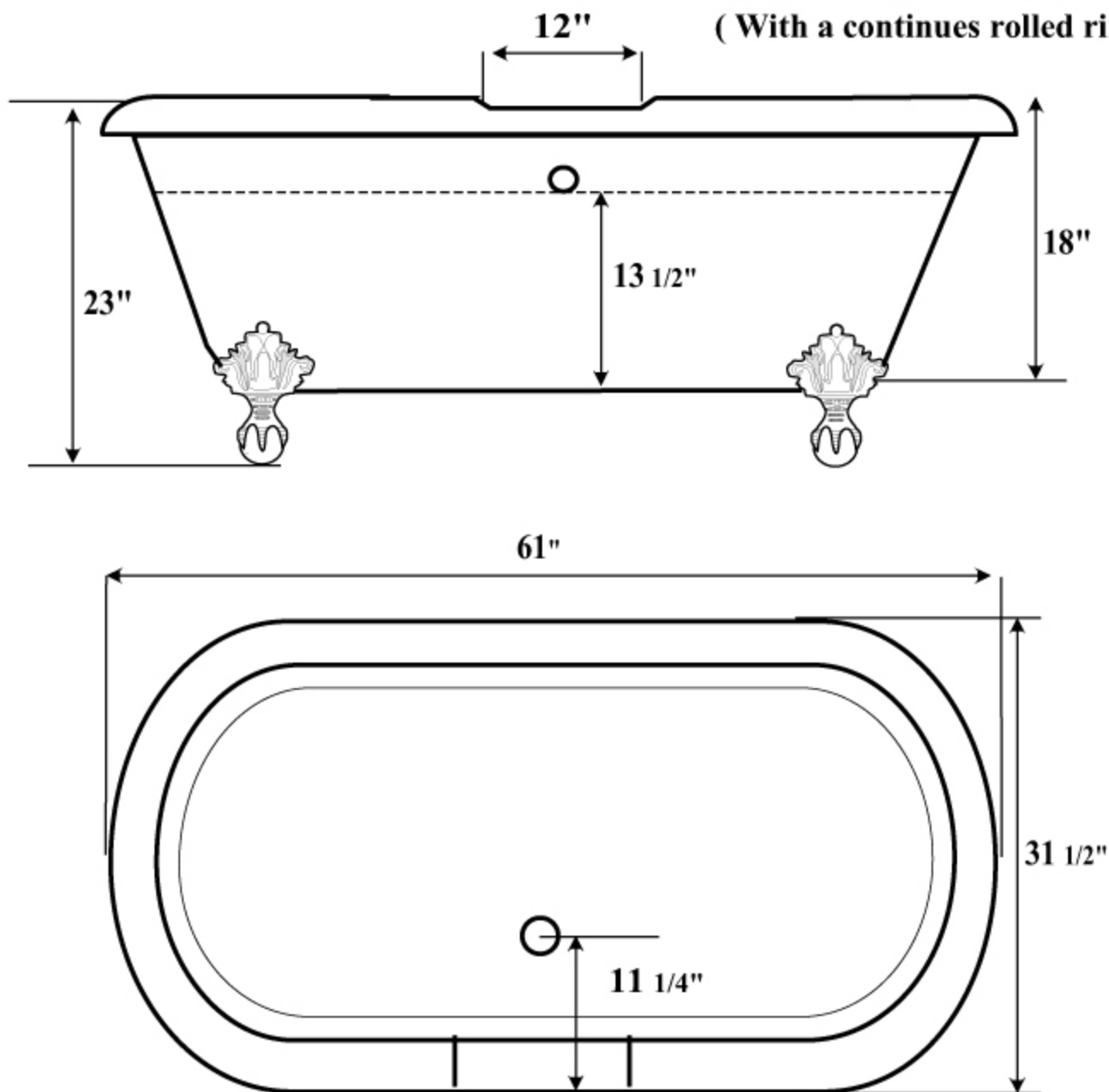
#856 Double Ended Bathtub
(With 8" cc holes)

61" Double ended bathtub

Water Capacity 50 Gallons

#866 Double Ended Bathtub
(No faucet holes designed
for custom faucet drilling)

#876 Double Ended Bathtub
(With a continues rolled rim)



Waste in floor: When using Sunrise Specialty #42 waste and overflow,
center waste in floor 1 1/2" in from out from edge of tub.

Hot & Cold Supplies: When using the 856 tub, the faucet is centered above the drain out of the floor.