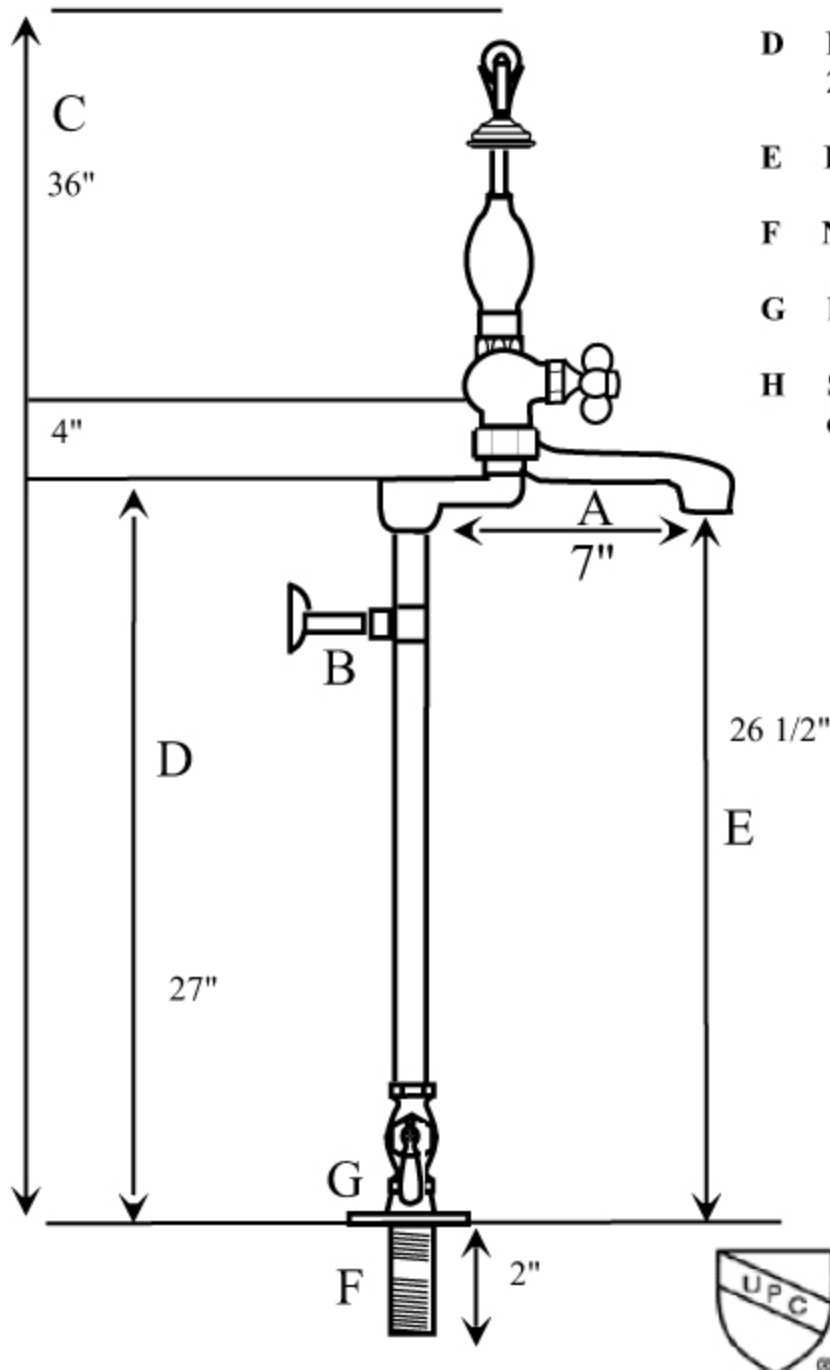


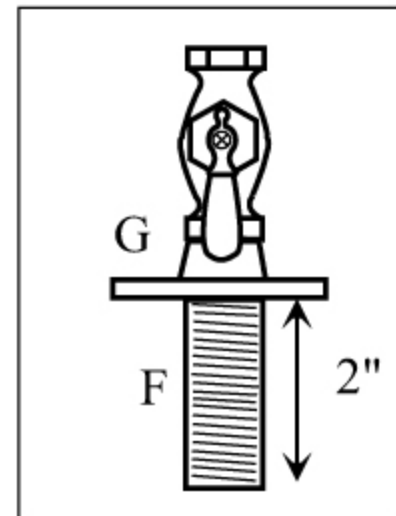
# SUNRISE SPECIALTY CO.

## 433 Tubfill/Handshower Specifications



- A** Center of supply to center of spout  
7 inches
- B** Wall bracket adjustable 5 to 18 in.
- C** Overall dimension 36 inches
- D** Floor to bottom of supply arc  
26 1/2 inches
- E** Floor to bottom of spout 25 in.
- F** Nipple 1/2 ips X 1 1/2 inches
- G** Diameter of Floor Flange 3 inches
- H** Supply lines are at a 8" CC  
out of floor

Note: Nipple is glued to  
shutoff valve at factory



The 433 faucet is IAPMO  
ASME A112.18.1-2003 certified