

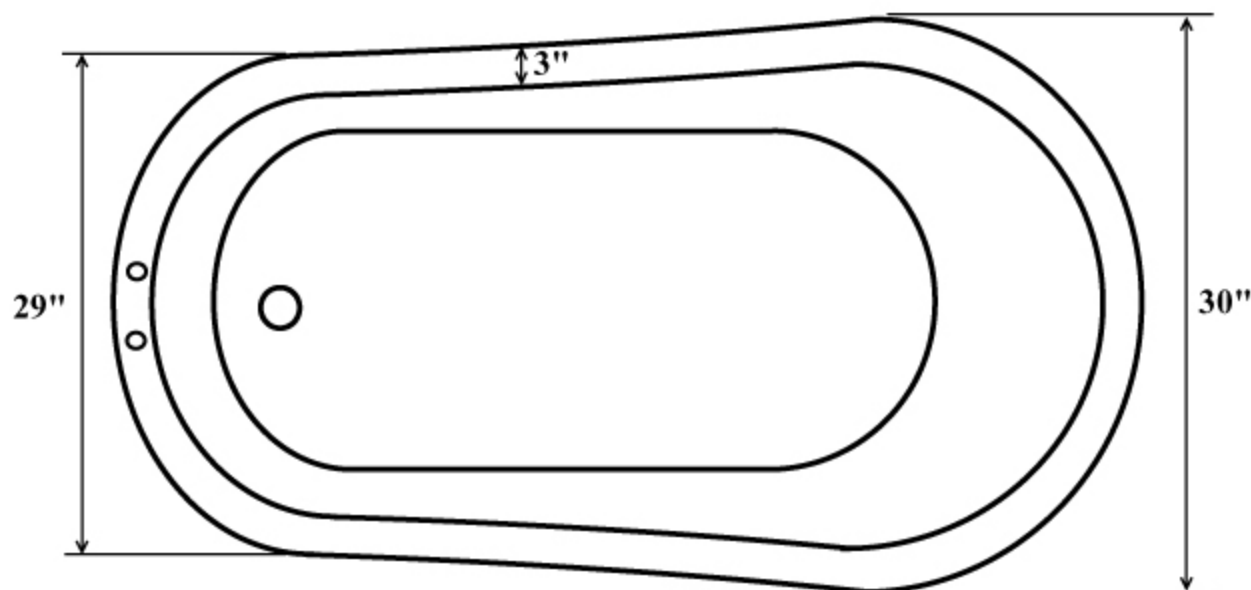
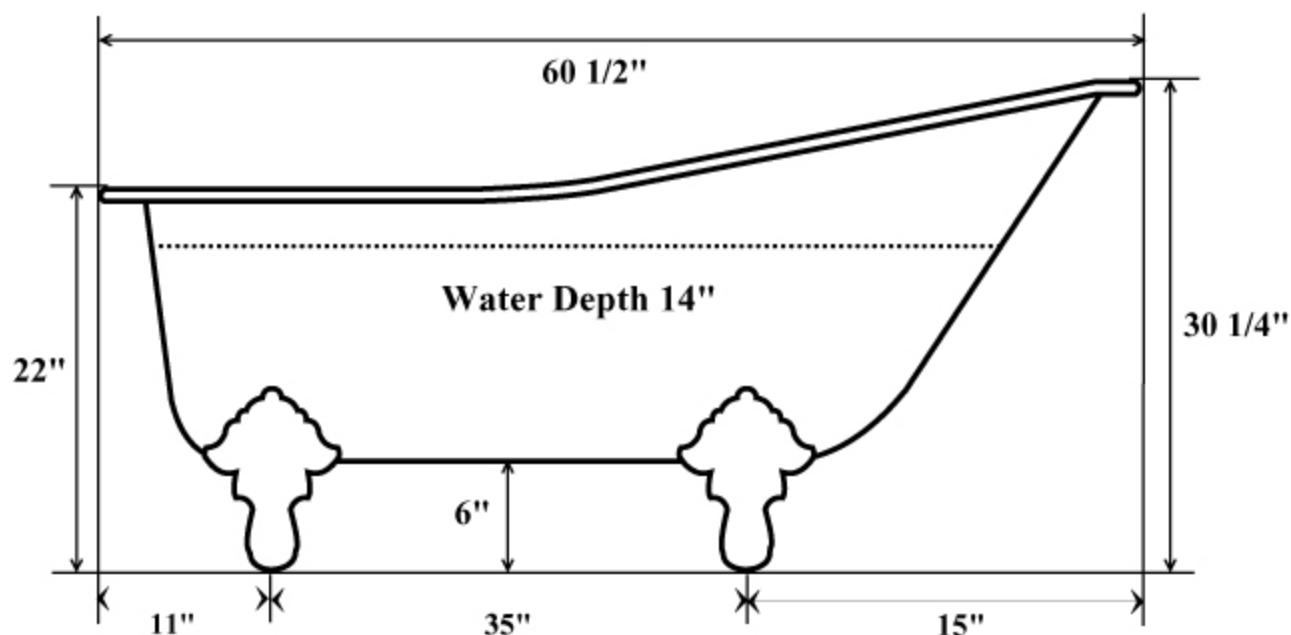
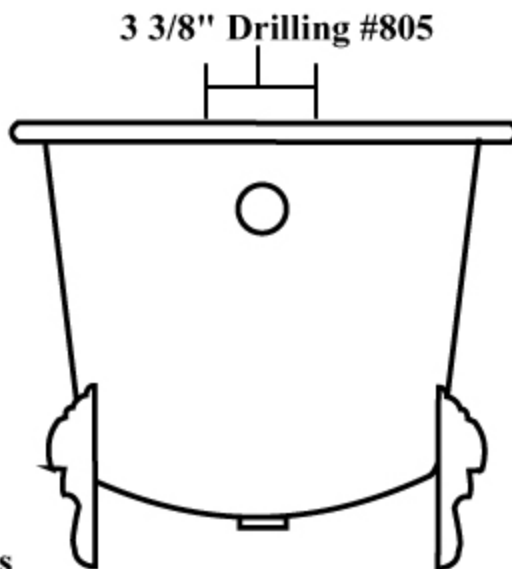
SUNRISE SPECIALTY CO.

Slipper Bath

#805 Drilled 3 3/8"cc

#815 Undrilled, can be
custom drilled.

Water Capacity 50 Gallons



Waste in floor: When using Sunrise #42 Waste & Overflow, center drain in floor 1 1/2" IN from outer lip of tub
Hot & cold supply: When using Sunrise #57 Supply Lines, center Hot & Cold 8" on floor in line with waste in floor.