

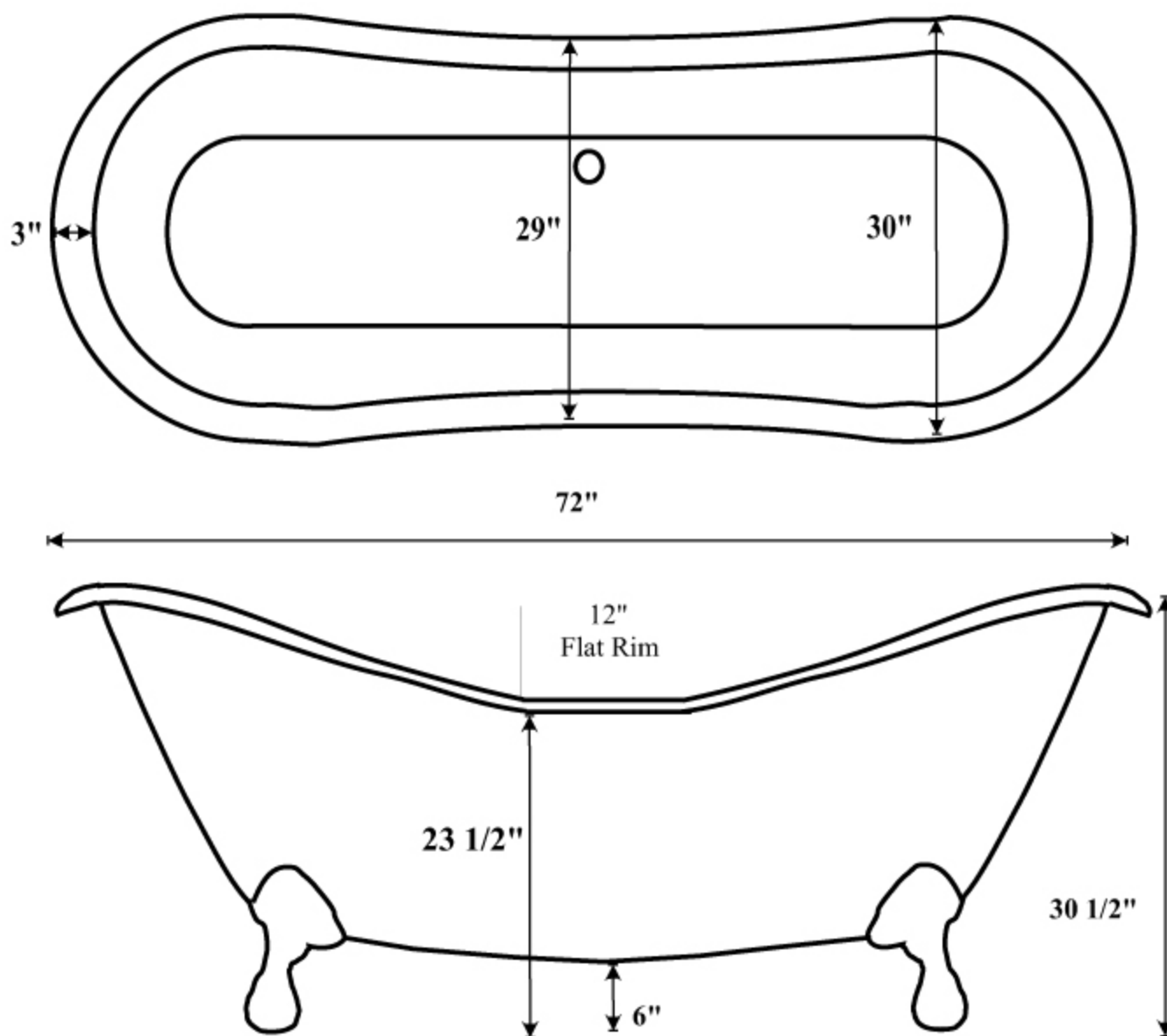
SUNRISE SPECIALTY CO.

818 (Less faucet holes)

808 (With 8" cc holes)

Overflow Diameter 2"
Waste Diameter 2 1/2"

Elegance Bath



Waste in floor: When using Sunrise Specialty #42 waste and overflow, center waste in floor 1 1/2" in from out from edge of tub.

Hot & Cold Supplies: When using #56 supplies, position hot & cold 8" center to center on each side of the waste out of floor.