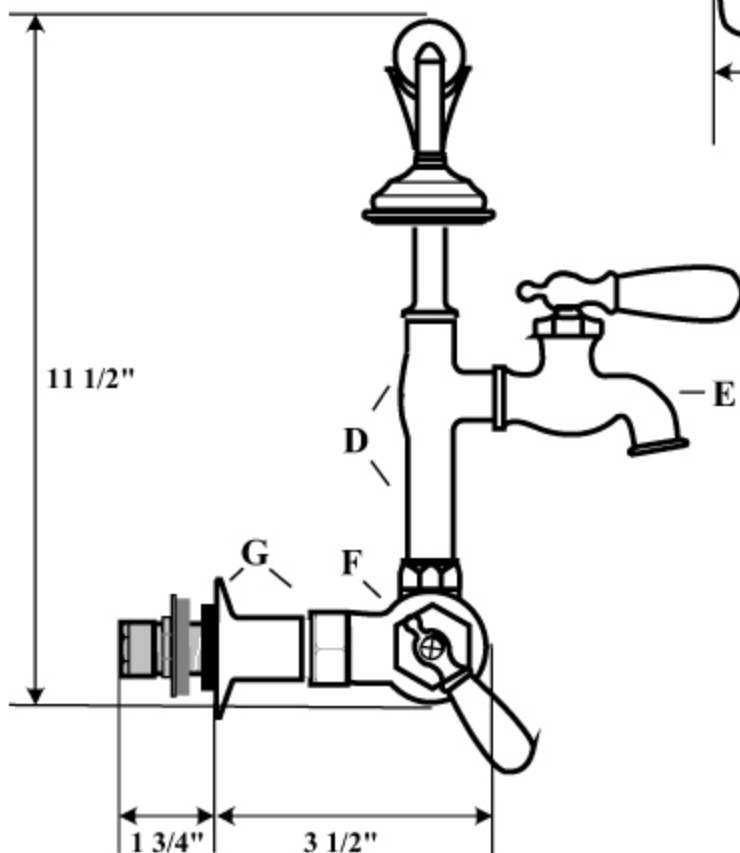
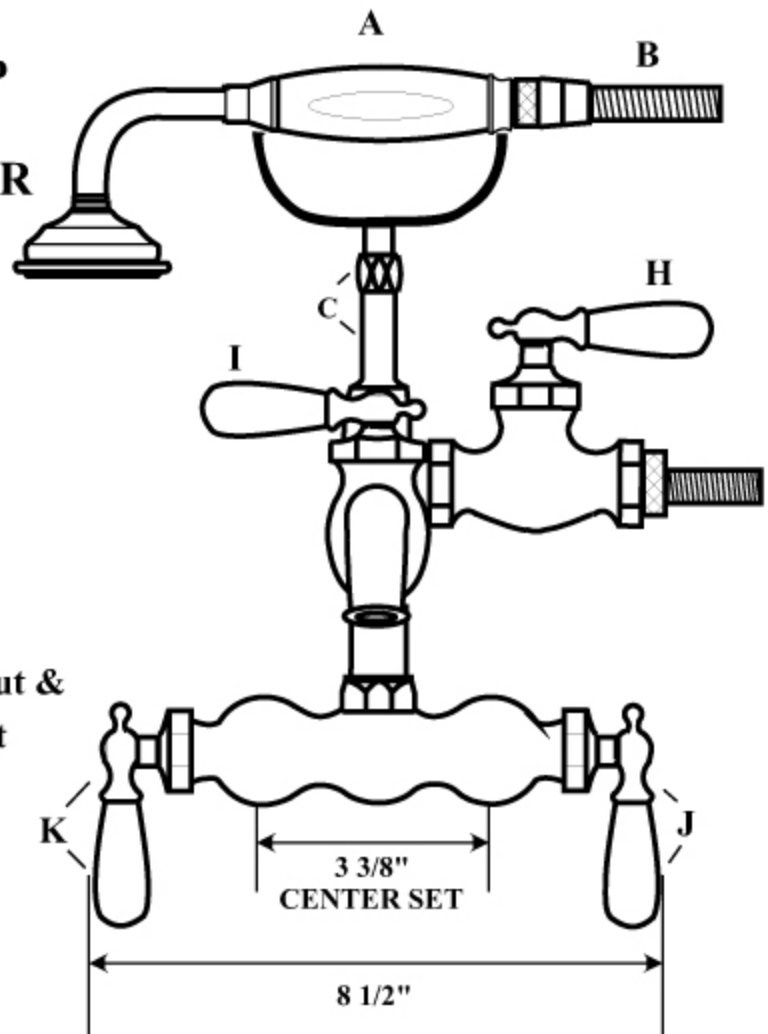


SUNRISE SPECIALTY CO.

#413 TUBFILL HANDSHOWER

PARTS LIST

- A #413-5 Shower Handle.
- B #413-3 Shower Hose 60" Long.
- C #413-6 Cradle Only.
- D #413-4 Tee and Cradle.
- E #400-13 Spigot Only.
- F #400-9 Three Ball Mixer Body.
- G 400-10 Shank, includes supply nut & washer, 1/2" IPS nipple, lock nut and washer.



HANDLE PART NUMBERS

- H #15-2 Small "SHOWER"
- I #15-1 Small "TUB"
- J #11-4 Small "COLD"
- K #11-5 Small "HOT"

AVAILABLE FINISHES

- 413-C Chrome Plated
- 413-E Protected Polished Brass
- 413-P Unprotected Polished Brass